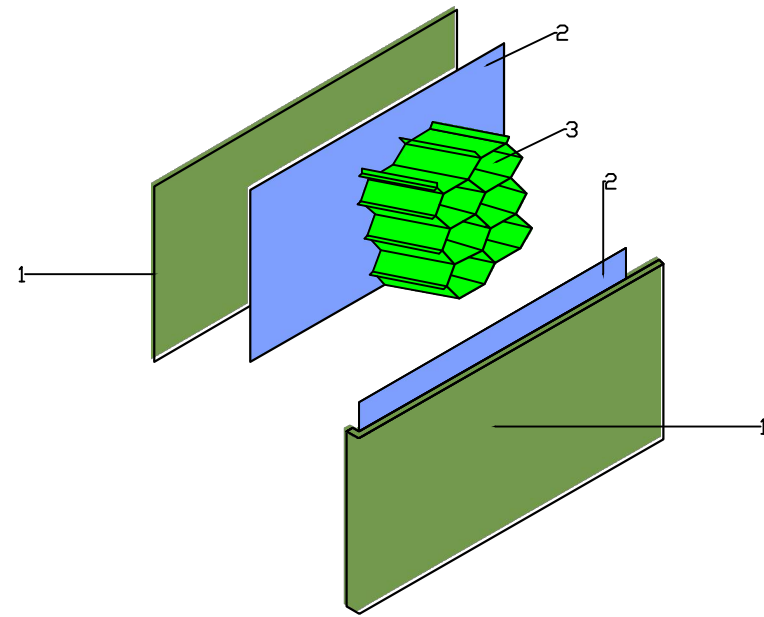


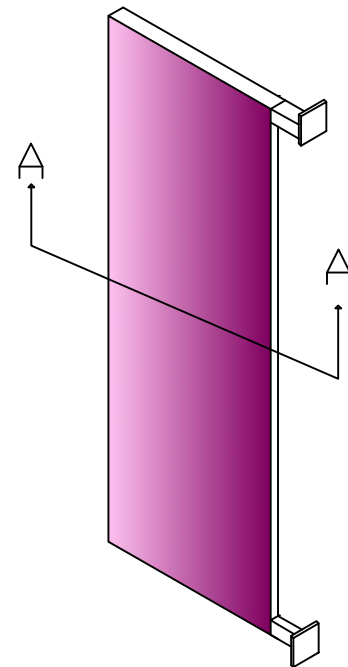
ELEMENT CELL CONFIGURATION



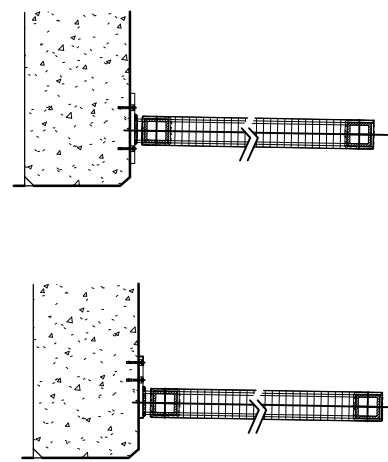
MATERIALS

1. PRE-COATED AN ROLLFORMED ALUMINIUM OUTER SKIN
2. BONDING AGENT
3. RIDGID ALUMINIUM HONEYCOMB CELLS

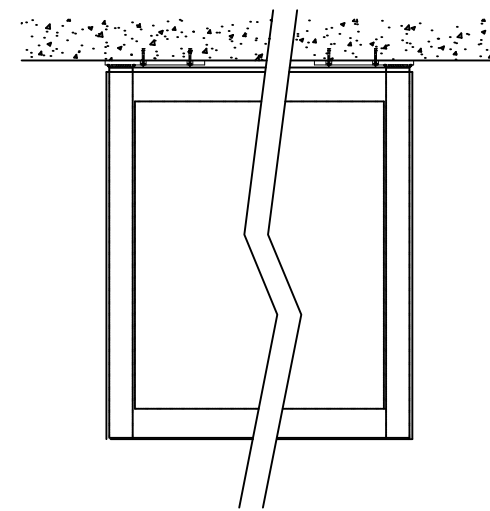
ELEMENT CELL ARRANGMENTS.
CAN BE POSITIONED FOR BOTH HORIZONTAL AND VERTICAL APPLICATIONS.



PROPRIETARY
SUPPORT FIXING



SECTION A
TYPICAL FIXING METHODS



PLAN VIEW